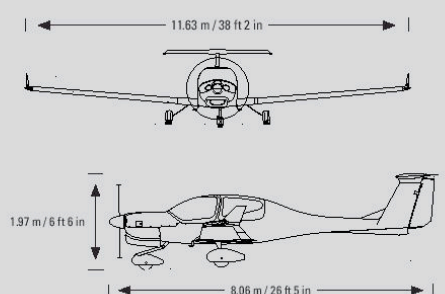


## DA40 New Generation - Factsheet

Power Plant	
Engine	Austro Engine AE 300 Turbocharged Common-Rail Injected 2.0 Liter Diesel Engine with EECU Single Lever Control System
Propeller	MT Propeller MTV-6-R-/190-69 3-blade Constant Speed Propeller

Performance/Consumption		
Rate of Climb at Sea Level MTOW (Maximum Continuous Power)	3.5 m/s	690 ft/min
Rate of Climb 10,000 ft MTOW (Maximum Continuous Power)	3.2 m/s	630 ft/min
Max. Cruise Speed in 14,000 ft	287 km/h TAS	155 kts TAS
Cruise Speed @ 70% in 14,000 ft	248 km/h TAS	134 kts TAS
Cruise Speed @ 60% in 14,000 ft	226 km/h TAS	122 kts TAS
Consumption Speed @ 60%	17.8 lt/hr total	4.7 gal/hr total
Range @ 60% in 14,000 ft , standard/longe range tank	1,482 km/2,093 km	800 nm/1,130 nm
Take-off Distance (50 ft Obstacle) MTOW at ISA Sea level	590 m	1,936 ft
Take-off Distance (Ground Roll) MTOW at ISA sea level	390 m	1,280 ft
Landing Distance (50 ft obstacle) MTOW at ISA sea level	632 m	2,073 ft
Landing Distance (Ground roll) MTOW at ISA sea level	303 m	994 ft

## Dimensions/Weights

	Length	8.06 m	26 ft/ft 5 in
	Height	1.97 m	6 ft 6 in
	Wing Span	11.63 m	38 ft 2 in
	Wing Area	13.54 m <sup>2</sup>	145.7 sq ft
	Seats	4	4
	Empty Weight	880 kg	1,895 lbs
	Useful Load	400 kg	750 lbs
	Max. Take-off Weight (MTOW)	1,280 kg	2,822 lbs
	Fuel Capacity (useable fuel) Standard/Long Range	106 lt/148 lt	28 US gal/39 US gal
	Fuel Grades	Jet A1	

Specifications apply to standard equipped aircraft, if not otherwise stated. The above quoted data are approximately specifications and may change without notice.  
 Version: April 8<sup>th</sup>, 2010 S\_30613E © 2010 Diamond Aircraft Industries GmbH

Diamond Aircraft Industries GmbH | N. A. Otto-Straße 5 | A-2700 Wiener Neustadt, Austria  
 T +43 2622 26700 | F +43 2622 26700-1199 | [www.diamond-air.at](http://www.diamond-air.at)